



Tri-color

3000K 4000K 5000K



**SAA**

**LM-79**

# Datasheet

## LED 2D Bulkheads

IP65 D320

**60%**  
energy  
saving

**30,000**  
hours life

**5** years  
warranty

• Product Features

- > Durable IP65 rated case
- > Multiple function on EM/MS
- > Best replacement for 2D CCFL
- > 3H EM at 10% lumen output
- > 5 years warranty ,EM battery : 3 years

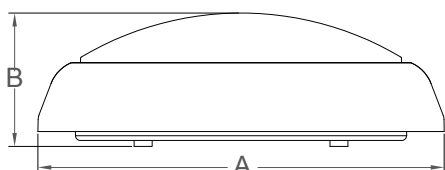
• Options

- > Color : Single color or Tri-color
- > Function: See the datasheet
- > Microwave sensor: 0% OR 10%
- > Emergency: 3hours with 10% Lumen
- > Package: Standard pack OR Color Box

• Applications

- > Replacement for 2D fluorescent ,
- > Homes and houses,
- > Stairs / corridors
- > Architectural lighting

• Dimension



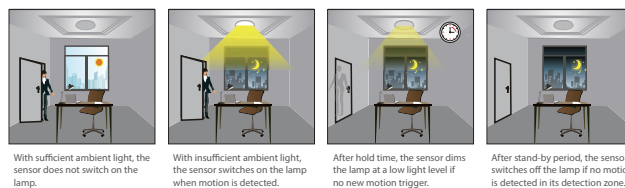
Product Name	A	B
2D Bulkhead	Ø325	113

Unit: mm

• Product Picture



• Microwave Sensor

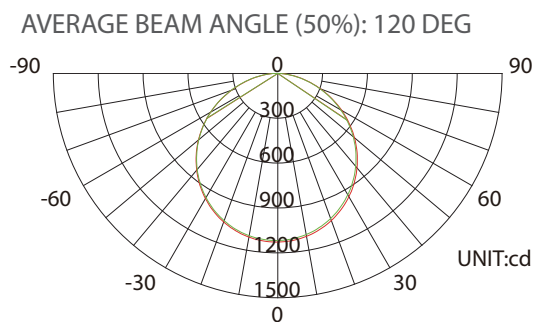


• Product code policy

BH XX -XX X XX - X X X X X - XXX  
 01 02 03 04 05 06 07 08 09 10

- 01. Product category: BH: 2D Bulkheads Light
- 02. Product dimension: eg: 32:Φ325mm
- 03. Rated power: eg:14: 14W,18: 18W;
- 04. Luminous Efficacy: G: General 100LM/W
- 05. Color Temperature: eg:N1: 4000~4500K
- 06. Product version: A: A version
- 07. Structural function: N:Normal cover
- 08. Function:F1:Standard; F2:STD+EM;  
F3:STD+MS;F4:STD+EM+MS
- 09.Power supply manufacturer
- 10.Series No.: 001-499.

• Photometry Curve



• Technical / Electrical Characters (at TA=25°C)

Item	Symbol	D325/14W	D325/18W
Rated Power	W	14W	18W
Product Code	/	BH32-14GTR-ANF1B-001	BH32-18GTR-ANF1B-001
LED Type/Qty	SMD2835	72x2	72x2
Lumen Efficacy	Lm/w	typ.100	typ.100
Luminous Flux	LM	Typ.1400	Typ.1800
Color Index	Ra	Ra>80	
Color Temperature	TC(K)	Single color: WW:3000K, NW:4000K, PW:5000K, CW:6000K or Tri-color : 3000/5000K, Mixed :4000K	
Function	/	F1:STD	F2:STD+EMG F3:STD+MS F4:STD+EMG+MS
MS Function	/	0% Or 10% Brightness on Micro-wave sensor	
EM time /LM	/	3H Emergency /140LM	
Flicker OR Not	/	Flicker Free	
Power Factor	PF	PF>0.95	
LED current	mA	Constant 50mA	Constant 67mA
Input Voltage	V	AC200~240V 50/60Hz	
Working Voltage	V	Constant DC36~42V	
Protection Class	IP	IP65	
Temperature	°C	Operation:-15°C~+50°C	Storage:-25°C~+55°C
Life Span	h	30,000 hours	
Warranty	/	5 years	

• ErP Technical Specification

Item	Symbol	Specification / Data
Color Index	CRI	Ra>80, R9>0
Energy efficiency Class	/	A+ / A++
Color consistency in level	/	Max. 6SDCM
THD	%	<15%
Starting Time	S	<0.5S
Switching Cycle before Failure	/	>10,000 times
Premature failure rate @1000h	/	0



• Various of function



Standard



Standard+ 3h Emergency



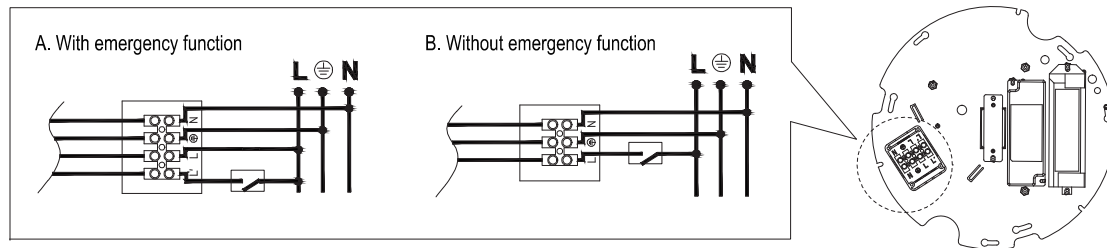
Standard+ Microwave



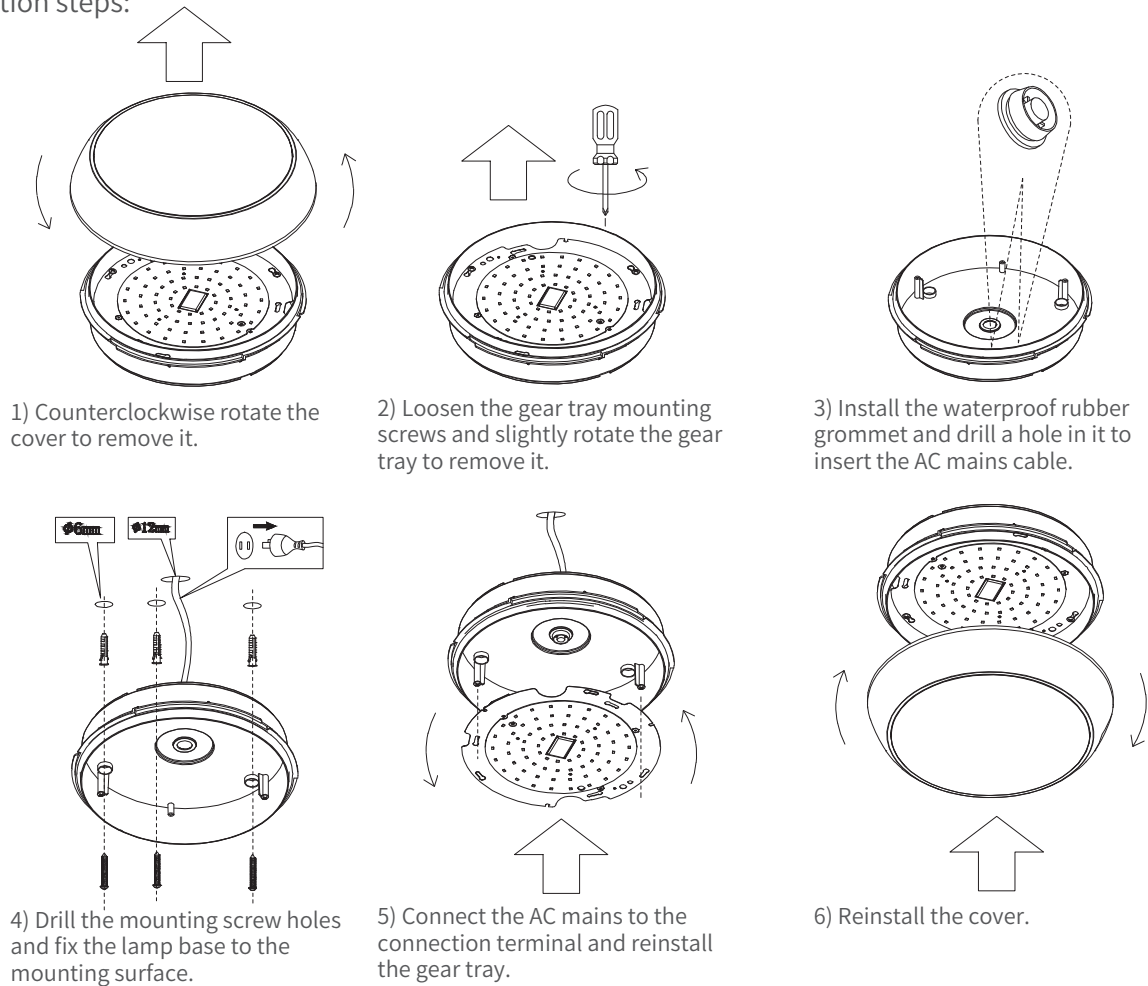
Standard+ 3h Emergency + Microwave

## • Installation Instructions

### 1. Wiring Diagram:



### 2. Installation steps:



### • Package

Product Type	Rate Power	Inner Box	Outer Carton	Qty/Carton	Unit N.W	G.W/Carton
STD ON-OFF	14/18W	335 x 117 x 335mm	685 x 605 x 360mm	10Pcs	0.95Kg	13Kg
STD + EMG	14/18W	335 x 117 x 335mm	685 x 605 x 360mm	10Pcs	1.02Kg	14Kg
STD + MS	14/18W	335 x 117 x 335mm	685 x 605 x 360mm	10Pcs	1.01Kg	13.9Kg
STD + MS + EMG	14/18W	335 x 117 x 335mm	685 x 605 x 360mm	10Pcs	1.08Kg	14.7Kg

### ! CAUTION

- ※ In case of electric shock, please make sure the power is off before installation.
- ※ The lamp should be installed and operated by a qualified electrician or technician in accordance with relevant local codes.
- ※ Do not use sharp tools near or on the surface of the lamp.
- ※ Unpack and examine the product carefully. Report any damage and save all packing materials if any portion of the product was damaged during transportation.